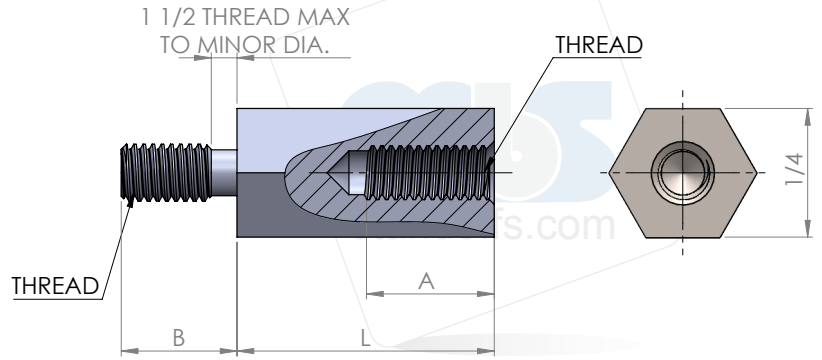




1/4 Hex Male-Female Standoff



Hex Length Table	
FCXXXX	Length (L)
FC4530	1/4
FC4531	5/16
FC4532	3/8
FC4533	7/16
FC4534	1/2
FC4535	9/16
FC4536	5/8
FC4537	11/16
FC4538	3/4
FC4539	13/16
FC4540	7/8
FC4541	15/16
FC4542	1
FC4543	1-1/16
FC4544	1-1/8
FC4545	1-3/16
FC4546	1-1/4
FC4547	1-5/16
FC4548	1-3/8
FC4549	1-7/16
FC4550	1-1/2
FC4551	1-9/16
FC4552	1-5/8
FC4553	1-11/16
FC4554	1-3/4
FC4555	1-13/16
FC4556	1-7/8
FC4557	1-15/16
FC4558	2
FC4559	2-1/8
FC4560	2-1/4
FC4561	2-3/8
FC4562	2-1/2
FC4563	2-5/8
FC4564	2-3/4
FC4565	2-7/8
FC4566	3
FC4567	3-1/4
FC4568	3-1/2
FC4569	3-3/4
FC4570	4

Create a part number:

Length	Thread	Material	Finish
FCXXXX	XXX	XX	XX
_____ - _____ - _____ - _____			

Thread			
Short lengths, 'A' tapped to maximum depth			
Thread Code (XXX)	Depth (A)	Length (B)	
256	3/16	5/32	
440	1/4	3/16	
632	3/8	1/4	
832	7/16	3/8	

Material	
Material Code (XX)	
A	Aluminum
B	Brass
S	Steel
SS	Stainless Steel
N	Nylon

Compatible Finish	
A, B, S, SS	0 - Plain
B, S	5 - Nickel Plate (QQ-N-290)
A	6 - Iridite #14 Gold (MIL-C-5541E)
A	7 - Iridite Clear (MIL-C-5541E)
A	9 - Alodine 1200
B, S	12 - Zinc Clear (ASTM-B-633)
B, S	16 - Electro Tin (MIL-T-10727 TYPE 1)
SS	20 - Passivation (MIL-F-14072D)
A	22 - Clear Anodize (MIL-A-8625-TYPE2) (Sulphuric) Hot Water Seal (Clear)
A	24 - Black Anodize (MIL-A-8625)
B, S, SS	26 - Black Oxide
B, S	28 - Zinc Yellow (ASTM-B-633)

Tolerances Unless otherwise Specified
 .xxx +/- .005
 .xx +/- .010
 Angular +/- 1 Degree
 Linear +/- .005
Break all sharp edges



5046 W Linebaugh Ave
 Tampa, FL, 33624
 sales@mbs-standoffs.com
 Mbs-Standoffs.com
 P: (813) 938-6025
 F: (813) 425-9007

Source Contral Drawing:
 To be produced by
 mbs-standoffs

This document is the property of mbs-standoffs Inc. and shall not be reproduced, distributed, or used as a basis for manufacturing without written permission from mbs-standoffs Inc.